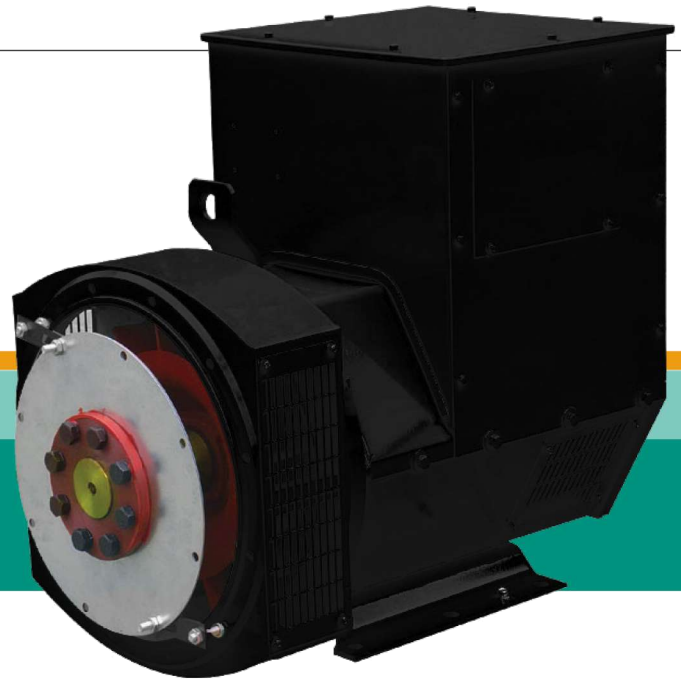


NEW ERA SLG

SERIES THREE-PHASE BRUSHLESS SYNCHRONOUS ALTERNATOR



SLG274 TECHNICAL DATA SHEET

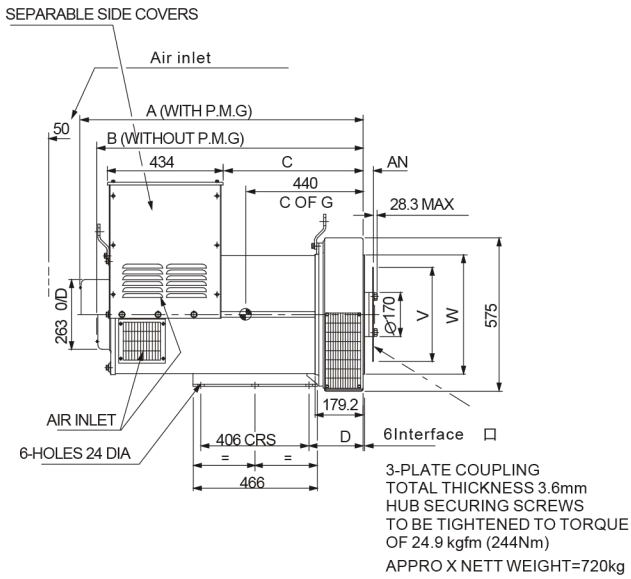
50Hz CLASS "H"

RATINGS		Winding 311 / 0.8 Power Factor											
Duty / Temp Rise / Ambient T _a		Cont./125k/40°C						Cont./125k/40°C					
PHASE		3 PHASE						1 PHASE					
SERIES STAR		380		400		415							
PARALLEL STAR		190		200		208							
SERIES DELTA		220		230		240							
DOUBLE DELTA								220		230		240	
		KVA	KW	KVA	KW	KVA	KW	KVA	KW	KVA	KW	KVA	KW
SLG274C		100	80	100	80	100	80	60	48	60	48	60	48
SLG274D		114	91.2	120	96	114	91.2	68	54.4	68	54.4	68	54.4
SLG274E		140	112	140	112	140	112	85	68	85	68	85	68
SLG274F		160	128	160	128	160	128	96	76.8	96	76.8	96	76.8
SLG274G		180	144	180	144	180	144	108	86.4	108	86.4	108	86.4
SLG274H		200	160	200	160	200	160	120	96	120	96	120	96
SLG274J		230	184	230	184	230	184	138	110.4	138	110.4	138	110.4
SLG274K		250	200	250	200	250	200	150	120	150	120	150	120

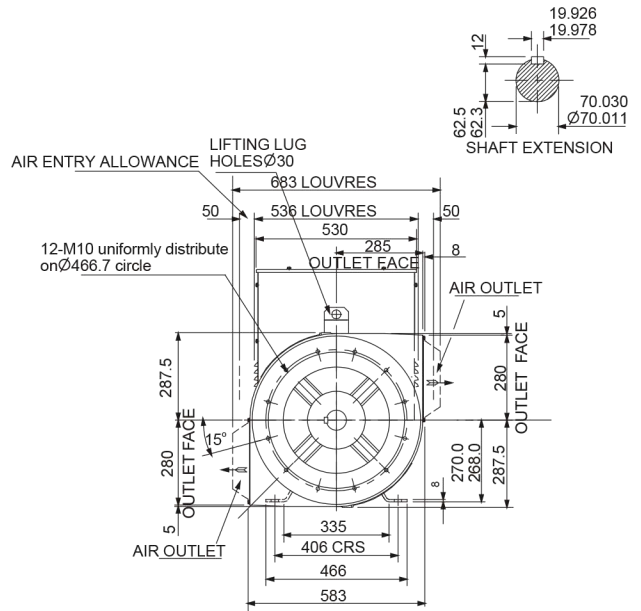
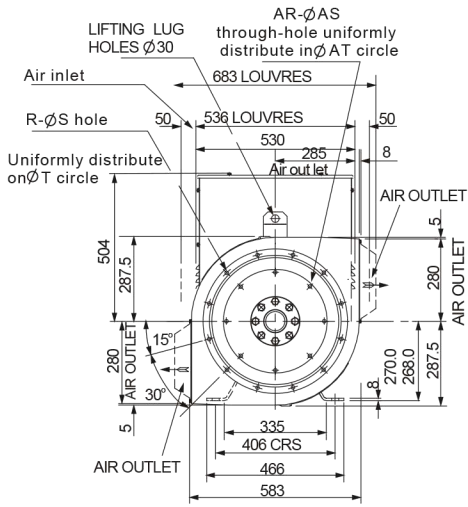
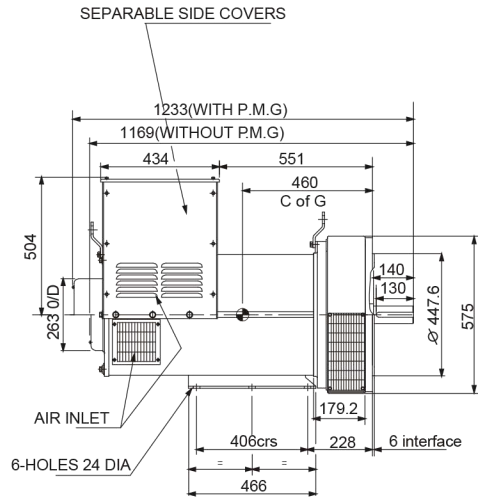
60Hz CLASS "H"

RATINGS		Winding 311 / 0.8 Power Factor													
Duty / Temp Rise / Ambient T _a		Cont./125k/40°C						Cont./125k/40°C							
PHASE		3 PHASE						1 PHASE							
SERIES STAR		416		440		460		480							
PARALLEL STAR		208		220		230		240							
SERIES DELTA		240		254		266		277							
DOUBLE DELTA								220		230		240			
		KVA	KW	KVA	KW	KVA	KW	KVA	KW	KVA	KW	KVA	KW		
SLG274C		112.5	90	117.5	94	117.5	94	125	100	61.3	49	64.4	51.5	67.5	54
SLG274D		131.3	105	137.5	110	137.5	110	146.3	117	72	57.6	75	60	78.8	63
SLG274E		160	128	167.5	134	167.5	134	178.8	143	84	67.2	90	72	96	76.8
SLG274F		181.3	145	190	152	190	152	206.3	165	97.5	78	103.1	82.5	108.8	87
SLG274G		205	164.5	218.5	174.8	218.5	174.8	231.4	185.1	110.5	88.4	115.7	92.6	123.4	98.7
SLG274H		237.5	190	245	196	245	196	255	204	127.5	102	135	108	142.5	114
SLG274J		269	215.2	281	224.8	294	235.2	300	240	150	120	157	125.6	161	128.8
SLG274K		291	232.8	299	239.2	312.5	250	312.5	250	155	124	166	132.8	175	140

SINGLE BEARING



DOUBLE BEARING



FLANGE (mm)

S.A.E.NO.	A	B	C	D	R	S	T	W
1	1063	1000	525	202	12	12.7	530.2	511.1
2	1063	1000	525	202	12	11	466.7	447.6
3	1086.5	1023.5	548.5	225.5	12	11	428.6	409.5

DISC COUPLING (mm)

S.A.E.NO.	AN	AR	AS	AT	V
11.5	39.68	8	11	333.3	352.3
14	25.40	8	13.5	438.2	466.6

SAE NO SELECTOR CHOWT

	274C~H			274J/K	
	SAE 10	SAE 11.5	SAE 14	SAE 11.5	SAE 14
SAE 0					•
SAE 1			•	•	•
SAE 2	•	•		•	
SAE 3	•	•		•	