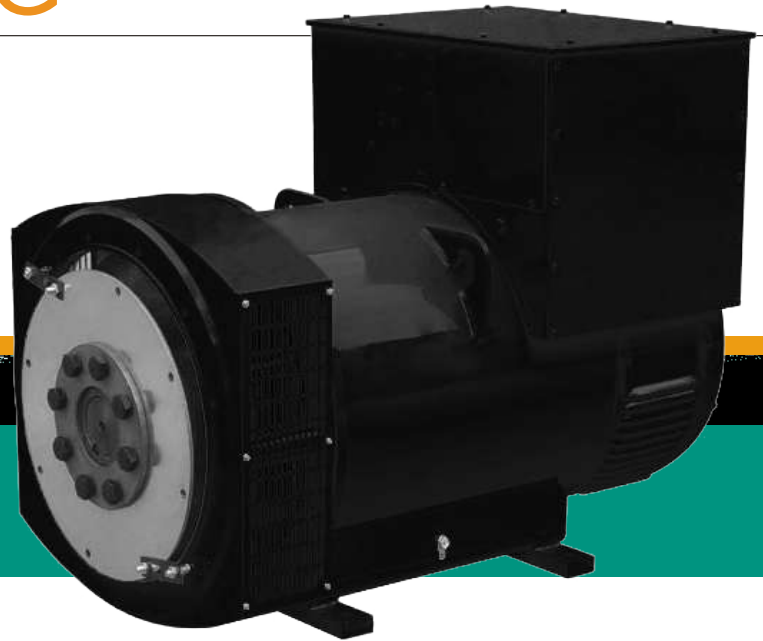


# NEW ERASLG

SERIES THREE-PHASE BRUSHLESS  
SYNCHRONOUS ALTERNATOR



## SLG314 TECHNICAL DATA SHEET

### 50Hz CLASS "H"

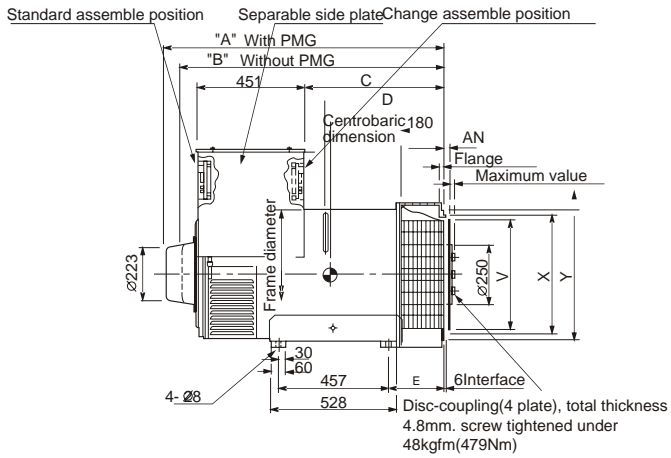
RATINGS	Winding 311 / 0.8 Power Factor															
Duty / Temp Rise / Ambient T°	Cont./125k/40°C								Standby/150k/40°C							
PHASE	3 PHASE															
SERIES STAR	380	400	415	440	380	400	415	440	380	400	415	440	380	400	415	440
PARALLEL STAR	190	200	208	220	190	200	208	220	190	200	208	220	190	200	208	220
SERIES DELTA	220	230	240	254	220	230	240	254	220	230	240	254	220	230	240	254
DOUBLE DELTA																
	KVA	KW	KVA	KW	KVA	KW	KVA	KW	KVA	KW	KVA	KW	KVA	KW	KVA	KW
SLG314C	250	200	250	200	250	200	250	220	259	207	259	207	259	207	259	207
SLG314D	295	236	295	236	295	236	280	224	313	250	313	250	313	250	295	236
SLG314E	325	260	325	260	325	260	325	260	345	276	345	276	345	276	345	276
SLG314F	380	304	380	304	380	304	380	304	390	312	390	312	390	312	390	312
SLG314G	400	320	400	320	400	320	400	320	415	332	430	344	430	344	430	344

### 60Hz CLASS "H"

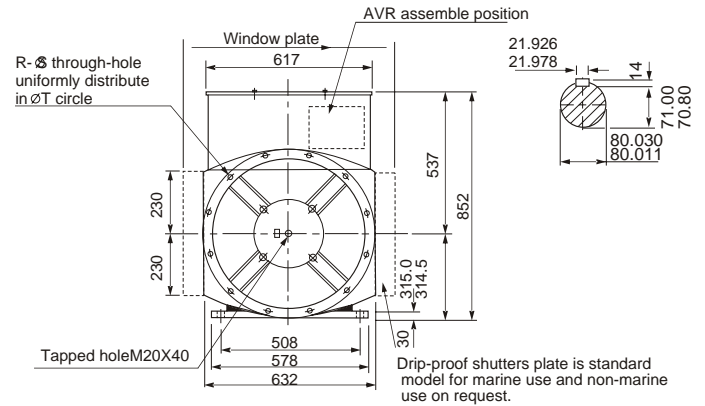
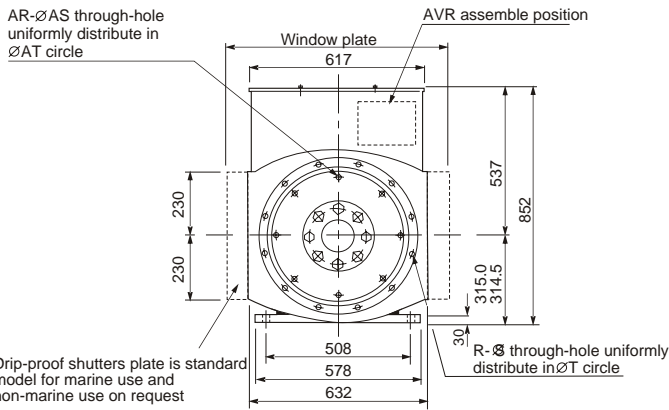
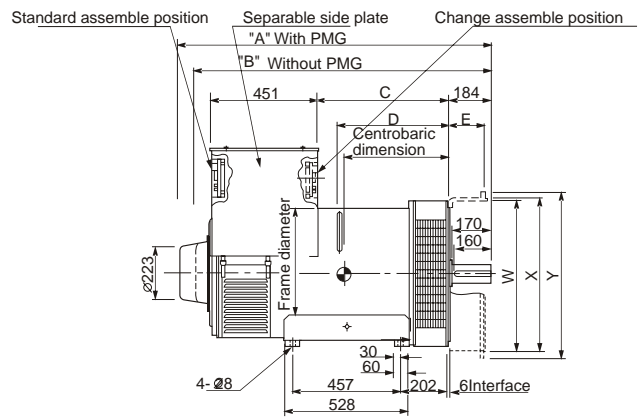
RATINGS	Winding 311 / 0.8 Power Factor															
Duty / Temp Rise / Ambient T°	Cont./125k/40°C								Standby/150k/40°C							
PHASE	3 PHASE															
SERIES STAR	416	440	460	480	416	440	460	480	416	440	460	480	416	440	460	480
PARALLEL STAR	208	220	230	240	208	220	230	240	208	220	230	240	208	220	230	240
SERIES DELTA	240	254	266	277	240	254	266	277	240	254	266	277	240	254	266	277
DOUBLE DELTA																
	KVA	KW	KVA	KW	KVA	KW	KVA	KW	KVA	KW	KVA	KW	KVA	KW	KVA	KW
SLG314C	281	225	294	235	300	240	313	250	300	240	313	250	319	255	332	266
SLG314D	338	270	350	280	363	290	375	300	365	285	375	300	388	310	400	320
SLG314E	381	305	394	315	406	325	419	335	406	325	419	335	431	345	444	355
SLG314F	444	355	456	365	463	370	475	380	475	380	483	386	488	390	500	400
SLG314G	455	364	480	384	500	400	500	400	485	388	515	412	535	428	535	428

# SLG314 External dimension

## SINGLE BEARING



## DOUBLE BEARING



### DIMENSION (mm)

Model	A		B		C		D		C of G
	SAE 1/2/0.5	SAE0	SAE 1/2/0.5	SAE0	SAE 1/2/0.5	SAE0	SAE 1/2/0.5	SAE0	
SLG314C	1172	1202	1101	1131	584	614	493	523	463
SLG314D	1172	1202	1101	1131	584	614	493	523	483
SLG314E	1172	1202	1101	1131	584	614	493	523	504
SLG314F	1262	1292	1191	1221	674	704	583	613	530
SLG314G	1262	1292	1191	1221	674	704	583	613	550

### SHIPMENT DATA

Model	N.W(kg)	G.W(kg)	LXWXH(mm)
SLG314C	800	850	1270X740X1080
SLG314D	890	940	1270X740X1080
SLG314E	960	1010	1270X740X1080
SLG314F	1110	1160	1330X740X1090
SLG314G	1160	1210	1330X740X1090

### FLANGE (mm)

S.A.E.NO.	R	S	T	X	Y	E
0	12	14	679.5	647.6	711	232
1/2	12	14	619.1	584.1	680	232
1	12	12.7	530.2	511.1	617	232
2	12	11	466.7	447.6	617	232

### DISC COUPLING (mm)

S.A.E.NO.	AN	AR	AS	AT	V
11.5	39.68	8	11	333.4	352.3
14	25.40	8	13.5	438.1	466.6
18	15.87	6	16.7	543.0	571.4

### DIMENSION (mm)

Model	ABC				C of GD	N.W (kg)	G.W (kg)	LXWXH (mm)
	1	2	3	4				
SLG314C	1326	1255	554	463	443	800	860	1370X740X1090
SLG314D	1326	1255	554	463	453	890	950	1370X740X1090
SLG314E	1326	1255	554	463	474	980	1040	1370X740X1090
SLG314F	1416	1345	654	553	500	1110	1170	1470X740X1090
SLG314G	1416	1345	654	553	500	1160	1220	1470X740X1090

### FLANGE (mm)

S.A.E.NO.	R	S	T	W	X	Y	E
0	16	14	679.5	632	647.6	711	150
1/2	12	14	619.1	569	584.1	648	150
1	12	12.7	530.2	496	511.1	553	150

### SINGLE BEARING SAE NO SELECTOR

	SAE11.5	SAE14	SAE18
SAE 0		•	•
SAE 0.5		•	•
SAE 1	•	•	
SAE 2	•		